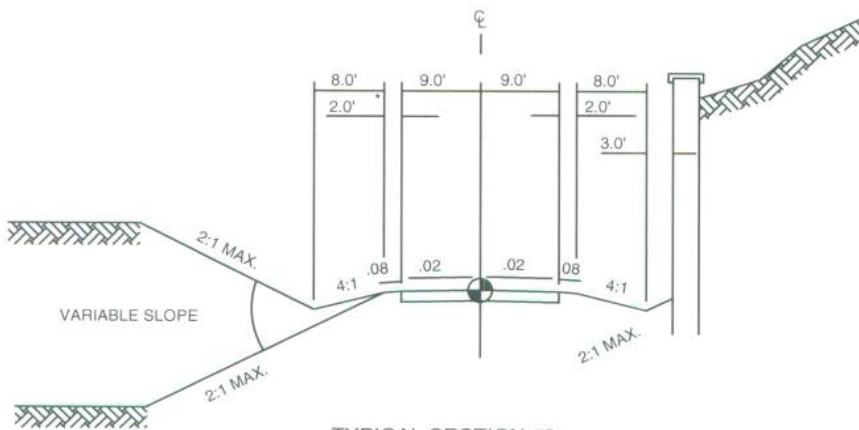
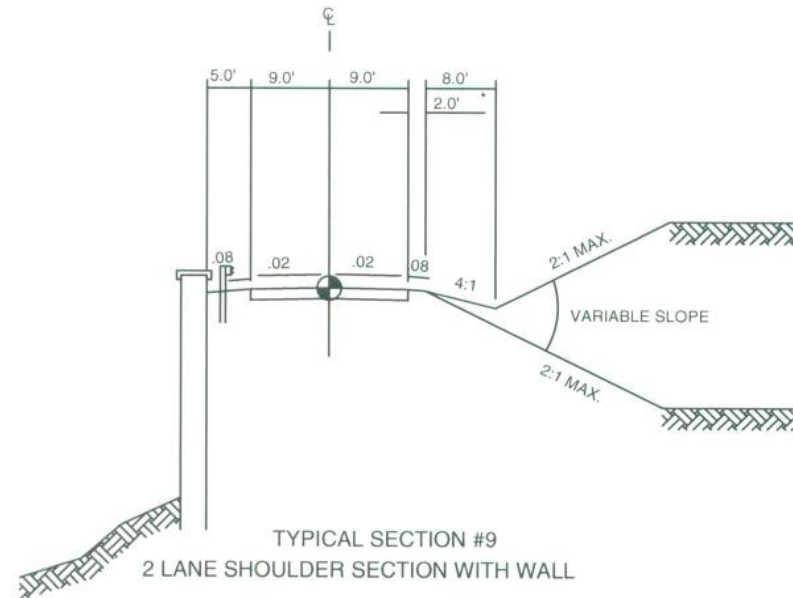


TYPICAL SECTION #7
2 LANE SHOULDER SECTION
* 5.0' WHERE WIDENED FOR GUARDRAIL



TYPICAL SECTION #8
2 LANE SHOULDER SECTION WITH WALL
* 5.0' WHERE WIDENED FOR GUARDRAIL



TYPICAL SECTION #9
2 LANE SHOULDER SECTION WITH WALL
* 5.0' WHERE WIDENED FOR GUARDRAIL

Date Printed: January 2005

PRIMITIVE PARK ROAD / ADMINISTRATIVE ACCESS ROAD
TYPICAL SECTION
 NORTH SHORE ROAD PRELIMINARY ALTERNATIVES REPORT
 SWAIN COUNTY, NORTH CAROLINA
 Prepared by: ARCADIS G&M of North Carolina, Inc.